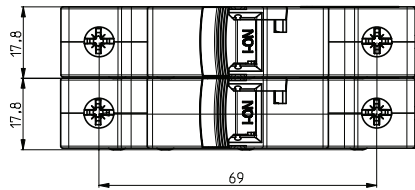
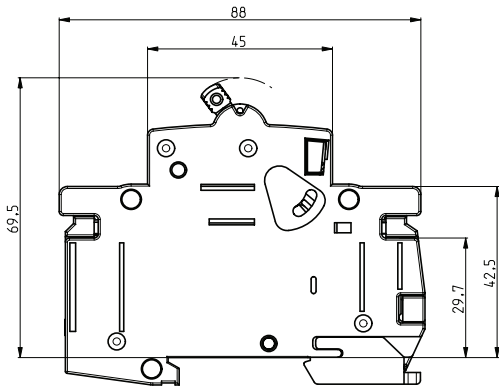




MCB 10kA 2 Pole, C Characteristic

Type: MCBGSC2..



Technical data

Rated voltage	230V, 230/400V, 400V, 60VDC
Rated current	B:6-63A, C:0.5-63A, D:0.5-32A,
Rated frequency	50/60Hz
Shock resistance	30g.min. 2 shocks, t = 13ms
Rated short-circuit capacity	10 kA
Energy limiting class	3; B,C
Tripping characteristic	B, C, D,
Back-up fuse	100A gG
Index of protection	IP 20 (IP 40)
Terminals	1-25mm ² , max 2.5Nm
Mechanical endurance	20000 op.c.
Electrical endurance	20000 op.c. (In≤32A), 10000 op.c. (In>32A)
Ambient temperature	max. -25°C ... +55°C
Storage temperature	max. -40°C ... +70°C
Build-in width	18 mm/pol
Insulating class	B
Overvoltage category	III
Mounting on the rail	EN 60715
Sealing possibility	YES
Terminal cover & Lock device	Available
Standards	EN 60898, IEC 60898, EN 60947-2

Tripping characteristics

Characteristic	Test current	Tripping time	Result	Result
B, C, D	1,13In	t ≥ 3600 s		No tripping
B, C, D	1,45In	t < 3600 s		Tripping
B, C, D	2,55In	1s < t < 60 s		Tripping
B	3,00In	t ≤ 0,1 s		No tripping
C	5,00In	t ≤ 0,1 s		No tripping
D	10,00In	t ≤ 0,1 s		No tripping
B	5,00In	t < 0,1 s		Tripping
C	10,00In	t < 0,1 s		Tripping
D	20,00In	t < 0,1 s		Tripping



Dokument/document		Utgava datum/edition date
Försäkran om överensstämmelse/ Declaration of conformity		29/06/2016
Avdelning/department Kvalite/Quality		
Ansvarig/prepared Magnus Arvidsson	Version 5	Sida/page 1 av/of 1

Supplier/Tillverkare: **GAROAB**
Box 203
S-335 25 GNOSJO Telephone: +46 (0)370 33 28 00
Sweden Telefax: +46 (0)370 33 28 50

Supplier established within EU/Ombud etablerad inom EG Telephone:
Telefax:

Supplier of equipment /Materielslag : Miniature Circuit Breaker / Dvtirgbrytare

Trade Mark/ Varumärke: GARO

Type Designation / Typbeteckning: MCBGR-..., GCB-..., MCBGS-.. and / och MCB GQ-..

We hereby declare that our product fulfils the requirements of following EC directives/
Vi intygar härmed att vår produkt uppfyller krav enligt följande EU direktiv:

- The Low Voltage Directive (LVD) 2014/35/EU / Lågspänningsdirektivet (LVD) 2014/35/EU.
- Electromagnetic compatibility (EMC) 2004/108/EU / Elektromagnetisk kompatibilitet (EMC) 2004/ 108/EG.
- RoHS Directive (RoHS) 2011/65/EU / RoHS direktivet (RoHS) 2011/65/EG.
- No electromagnetic compatibility (EMC) immunity or emission tests are required on the assembly/
Produkten innehåller inte elektroniska apparater som påverkas enligt förbehållen enligt direktivet
(EMC) 2004/108/EG.

The following harmonised standards (latest edition) or technical specifications which comply with good engineering practice in safety matters in force within the EU have been used in the design: /

Följande harmoniserade standarder (senaste utgåva) eller tekniska specifikationer som uppfyller god säkerhetsteknik praxis inom EG har använts i konstruktionen: EN 60898-1

- The equipment conforms completely with the above stated harmonised standards or technical specifications. /
Materielen överensstämmer helt med ovan angivna harmoniserade standarder eller tekniska specifikationer.

Or/eller

- The equipment confirms only partially with the above stated harmonised standards or technical specifications but complies with good practice in safety matters in force within the EU. /
Materielen överensstämmer endast delvis med ovan angivna harmoniserade standarder eller tekniska specifikationer, men uppfyller god säkerhetsteknik praxis inom EG.

We have product surveillance according to CENELEC's harmonised requirements, documents CCA-201.

Garo AB
Company/Företag

2016-06-29
Date/Datum

Sign/Underskrift

Environmental- and Quality Manager/Kvalitets- och Miljöchef
Position/Befattning

Magnus Arvidsson
Name / Namnförtydligande